

REVISIONS
G (04/12/02)

DRAWN
BHK

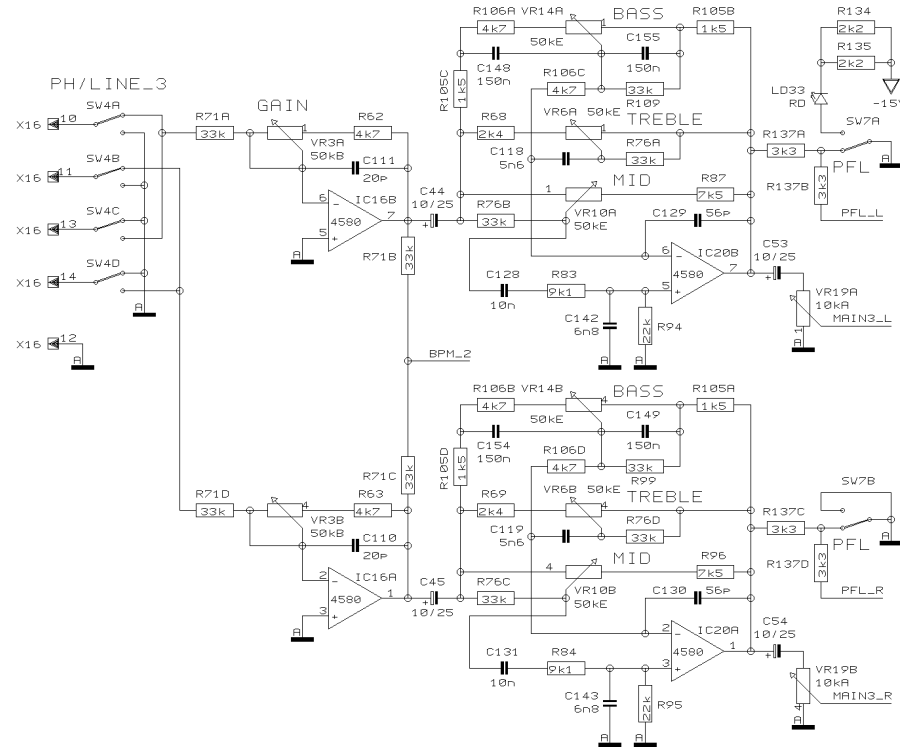
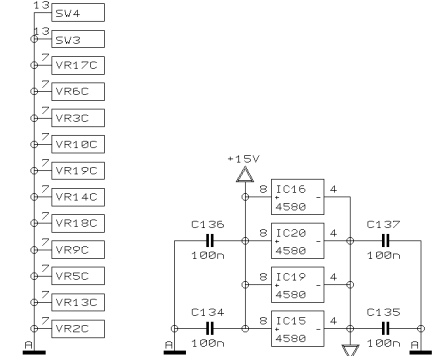
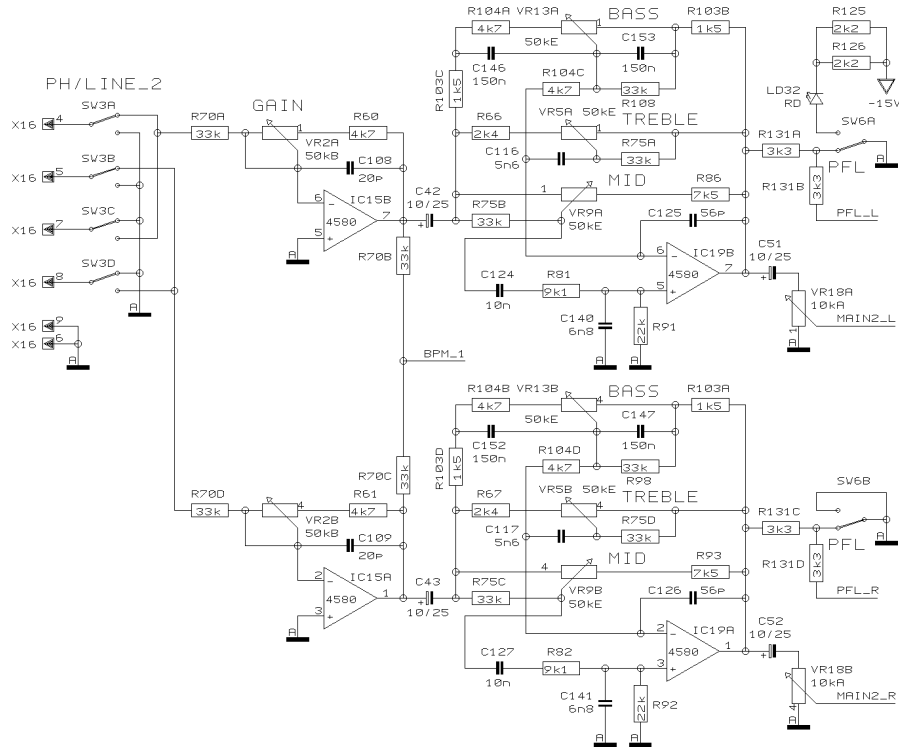
CHECKED

DATE 04.03. 3
15:18

BEHRINGER[®]
Specialized Studio Equipment

PROJECT
DX626
PRO MIXER
INPUT CHANNEL_1

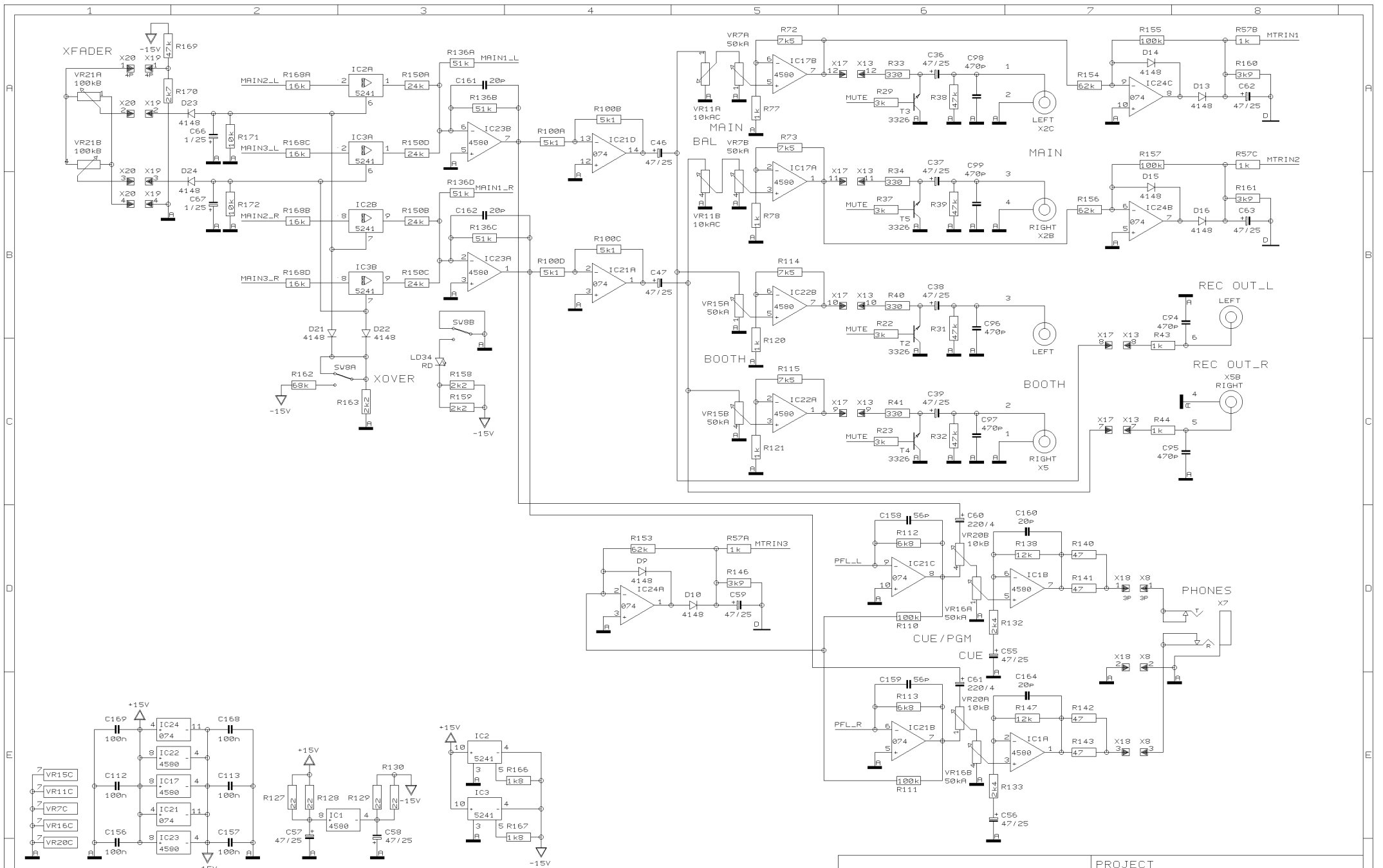
SHEET 1 OF 5 SHEETS TOTAL



REVISIONS	G		
DRAWN	BHK	CHECKED	DATE 04.03. 3 15:18



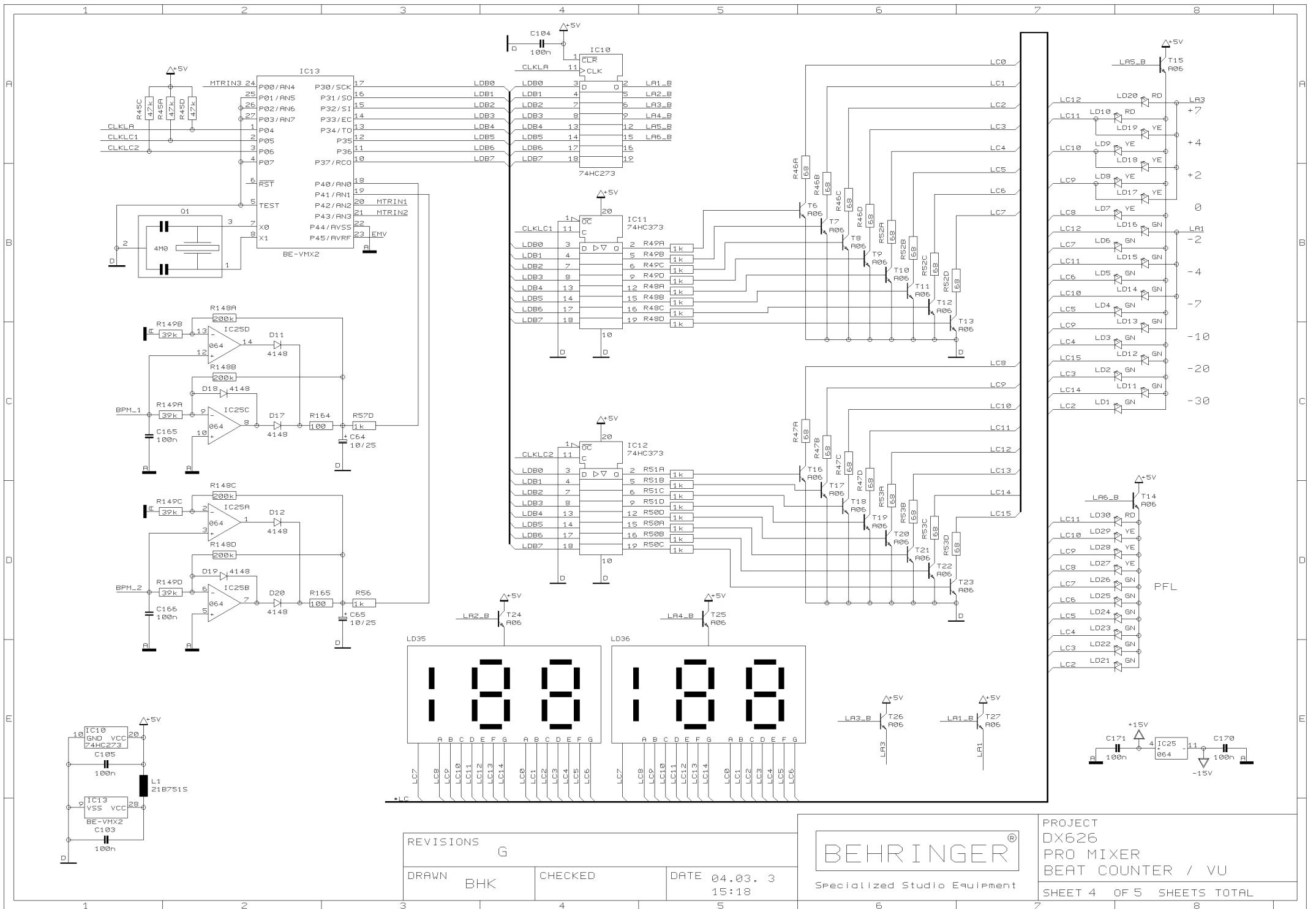
PROJECT
DX626
PRO MIXER
INPUT CHANNEL_2/3
SHEET 2 OF 5 SHEETS TOTAL



REVISIONS	G		
DRAWN	BHK	CHECKED	DATE 04.03. 3 15:18



PROJECT
DX626
PRO MIXER
MAIN SECTION
SHEET 3 OF 5 SHEETS TOTAL



REVISIONS
G

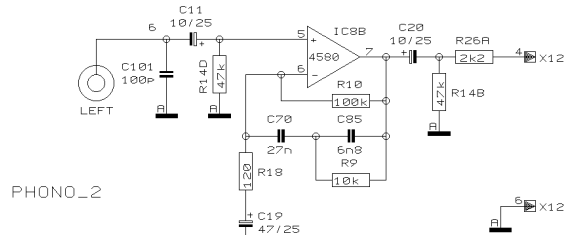
DRAWN
BHK

CHECKED

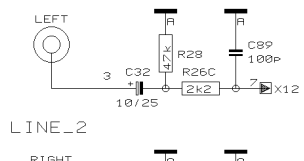
DATE 04.03. 3
15:18

BEHRINGER[®]
Specialized Studio Equipment

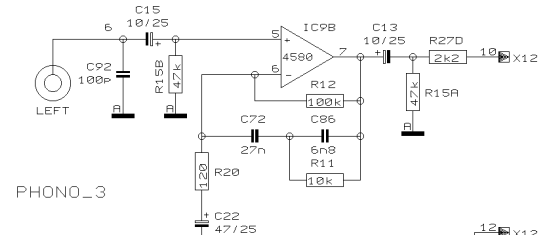
PROJECT
DX626
PRO MIXER
BEAT COUNTER / VU
SHEET 4 OF 5 SHEETS TOTAL



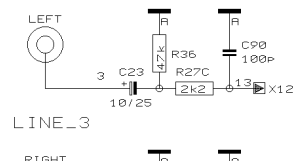
PHONO_2



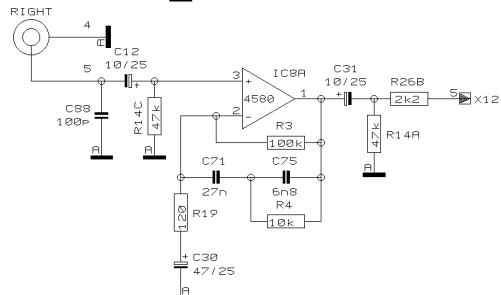
LINE_2



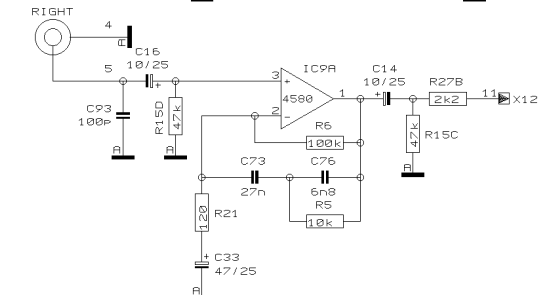
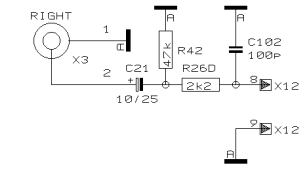
PHONO_3



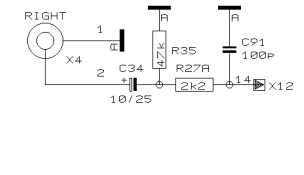
LINE_3



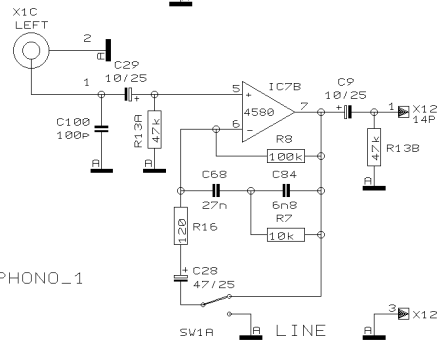
PHONO_1



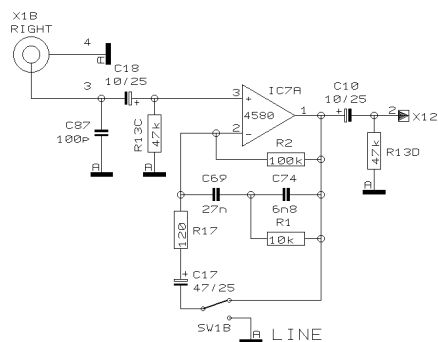
PHONO_3



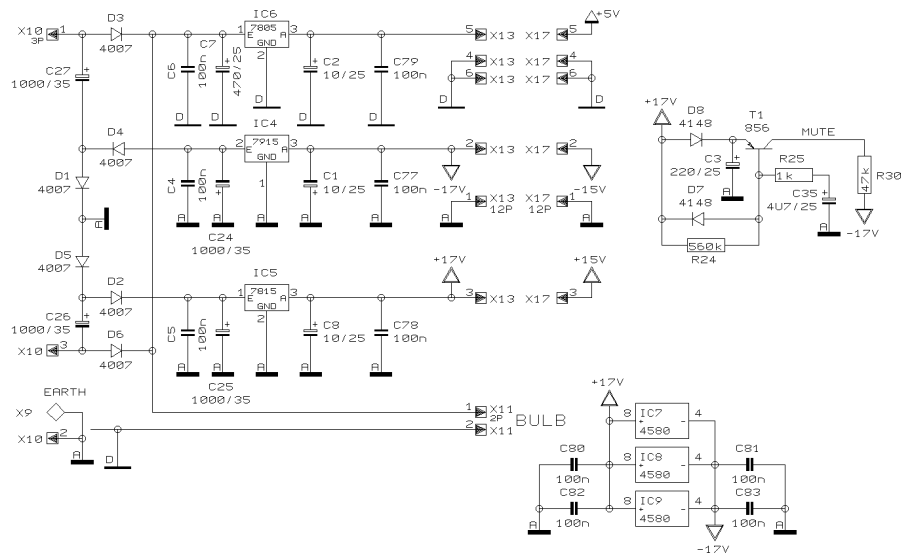
PHONO_3



PHONO_1



PHONO_1



REVISIONS		G	
DRAWN	BHK	CHECKED	
DATE		04.03. 3	
		15:18	



PROJECT
DX626
PRO MIXER
PRE-AMPS/PSU
SHEET 5 OF 5 SHEETS TOTAL